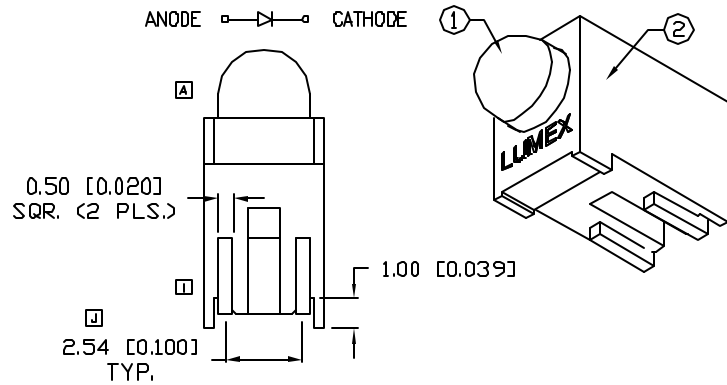
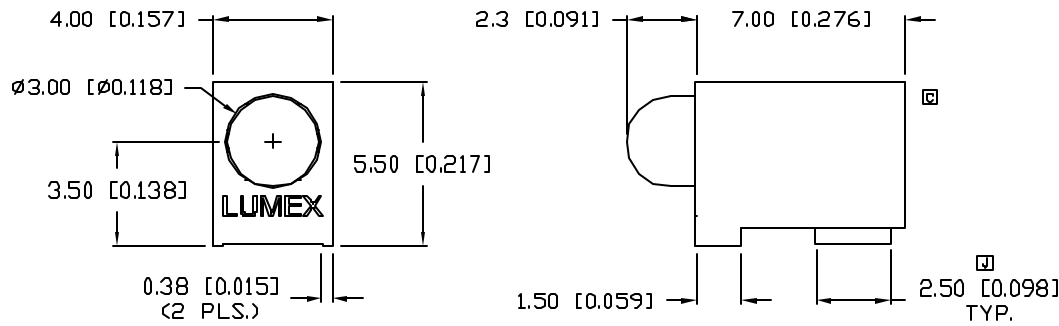
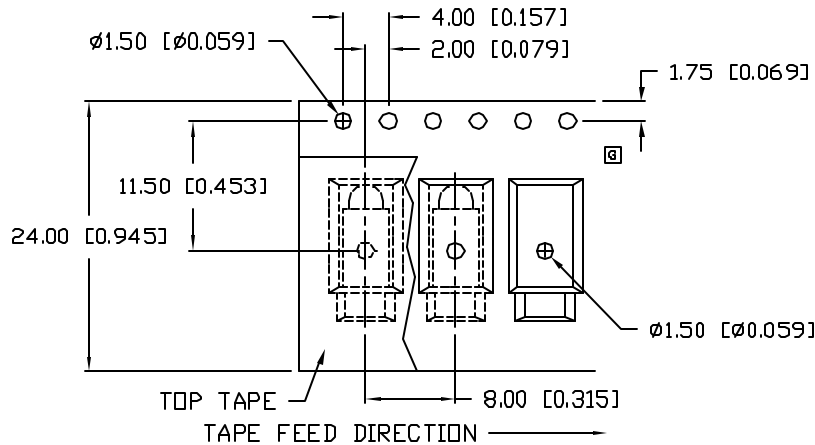
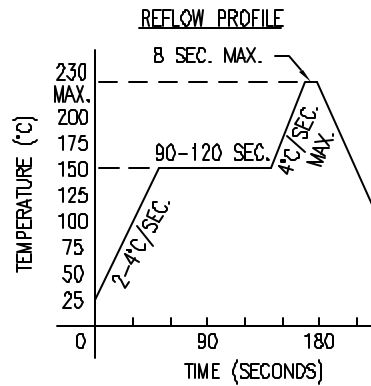


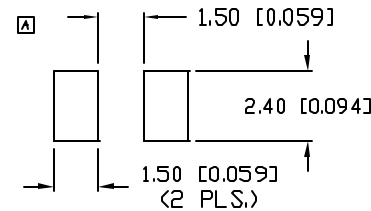
UNCONTROLLED DOCUMENT



PATENT PENDING



RECOMMENDED SOLDER PAD LAYOUT



| PART NUMBER | | REV. |
|-------------------|-------------------------------------|----------|
| SSF-LXH305ID(-TR) | | J |
| REV. | E.C.N. NUMBER AND REVISION COMMENTS | DATE |
| A | ADDED SOLDER PROFILE. | 5.13.94 |
| B | UPDATED SAFE OPER SPECS. | 9.12.94 |
| C | UPDATED SAFE OPER SPECS. | 11.16.94 |
| D | CORRECTED PROTRUSION | 3.13.95 |
| E | ADDED TAPE AND REEL OPTION. | 7.5.95 |
| F | E.C.N. #10BRDR. & REDRAWN. | 10.15.97 |
| G | E.C.N. #10625. | 5.22.00 |
| H | E.C.N. #10683. | 11.30.00 |
| I | E.C.N. #10782. | 11.6.01 |
| J | E.C.N. #10855 | 4.22.02 |

ELECTRO-OPTICAL CHARACTERISTICS $T_A=25^\circ\text{C}$ $I_f=20\text{mA}$

| PARAMETER | MIN | TYP | MAX | UNITS | TEST COND |
|--------------------|--------------|-----|-----|----------------|-----------------------|
| PEAK WAVELENGTH | | 635 | | nm | |
| FORWARD VOLTAGE | | 2.0 | 2.5 | V _f | |
| REVERSE VOLTAGE | 5.0 | | | V _r | I _f =100μA |
| AXIAL INTENSITY | | 40 | | mcd | I _f =20mA |
| VIEWING ANGLE | | 60 | | 2x theta | |
| EMITTED COLOR: | RED | | | | |
| EPOXY LENS FINISH: | RED DIFFUSED | | | | |

LIMITS OF SAFE OPERATION AT 25°C

| PARAMETER | MAX | UNITS |
|--------------------------|------------|------------|
| PEAK FORWARD CURRENT* | 150 | mA |
| STEADY CURRENT | 30 | mA |
| POWER DISSIPATION | 105 | mW |
| DERATE FROM 25°C | -1.6 | mW/°C |
| OPERATING, STORAGE TEMP. | -40 TO +85 | °C |
| SOLDERING TEMP. | +230 | °C |
| | | 3 SEC. MAX |

* $t < 10\mu\text{s}$

NOTES:

- SSL-LX305F4D, RED LED.
- SSH-LXH305, BLACK HOLDER.
- TR SUFFIX TO DESIGNATE TAPE AND REEL SUPPLIED.

4. CARRIER TAPE #LXP-CARRIER24-5B.

UNCONTROLLED DOCUMENT

*UNLESS OTHERWISE SPECIFIED TOLERANCES PER DECIMAL PRECISION ARE: X=±1 (±0.039), XX=±0.5 (±0.020), XXX=±0.25 (±0.010), XXXX=±0.127 (±0.005), LEAD SIZE=±0.05 (±0.002), LEAD LENGTH=±0.75 (±0.030), MIN.=+DECIMAL PRECISION -0.00, MAX.=+0.00 -DECIMAL PRECISION

| | |
|--|-------------------|
| REV. | PART NUMBER |
| J | SSF-LXH305ID(-TR) |
| T-3mm (T-1) RIGHT ANGLE SURFACE MOUNT LED, 635nm RED LED, RED DIFFUSED LENS, TAPE AND REEL | |

CONFIDENTIAL INFORMATION
 THE INFORMATION CONTAINED IN THIS DOCUMENT IS THE PROPERTY OF LUMEX INC. EXCEPT AS SPECIFICALLY AUTHORIZED IN WRITING BY LUMEX INC., THE HOLDER OF THIS DOCUMENT SHALL KEEP ALL INFORMATION CONTAINED HEREIN CONFIDENTIAL AND SHALL PROTECT SAME IN WHOLE OR IN PART FROM DISCLOSURE AND DISSEMINATION TO ALL THIRD PARTIES.

RELIABILITY NOTE
 OUR MANY YEARS OF EXPERIENCE DATA ACCUMULATION INDICATE THAT SOLDER HEAT IS A MAJOR CAUSE OF EARLY AND FUTURE FAILURE. PLEASE PAY ATTENTION TO YOUR SOLDERING PROCESS.

290 E. HELEN ROAD
 PALATINE, IL 60067-6976
 PHONE: +1.847.359.2790
 US WEB: www.lumex.com
 TW WEB: www.lumex.com.tw

| | | | |
|-----------------|-------------|--------------|--------------|
| DRAWN BY: BC | CHECKED BY: | APPROVED BY: | DATE: 3.3.94 |
| | | | PAGE: 1 OF 1 |
| | | | SCALE: N/A |